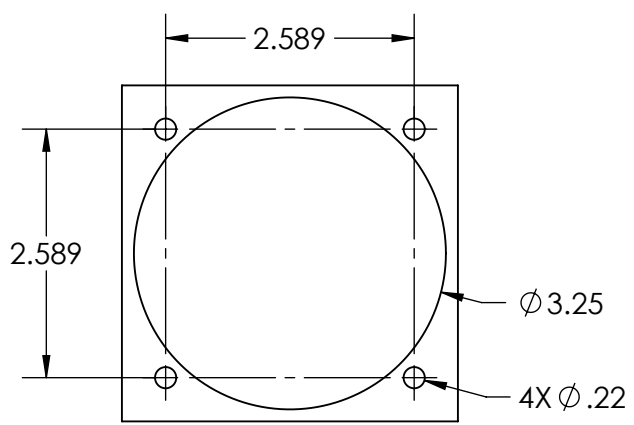
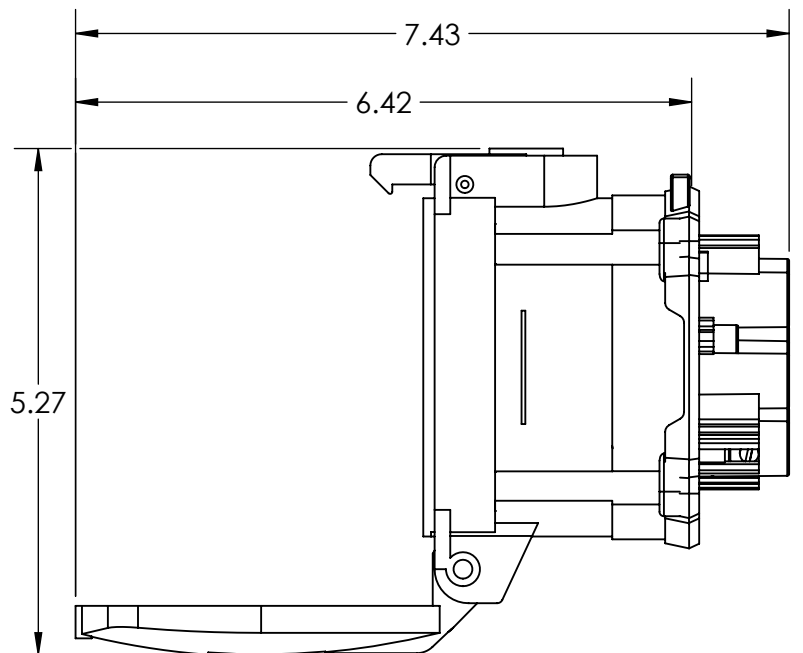
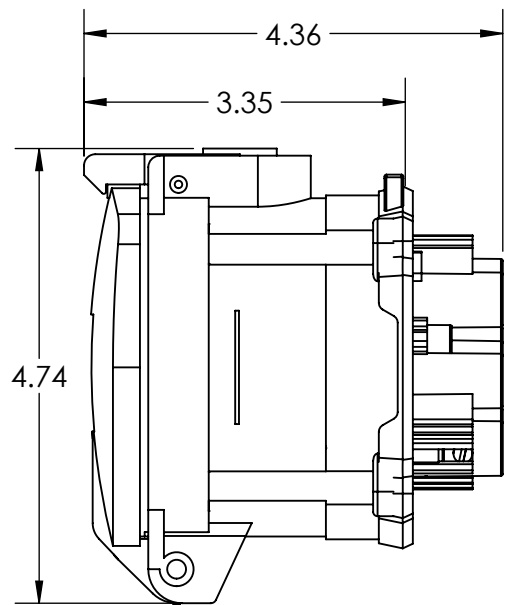
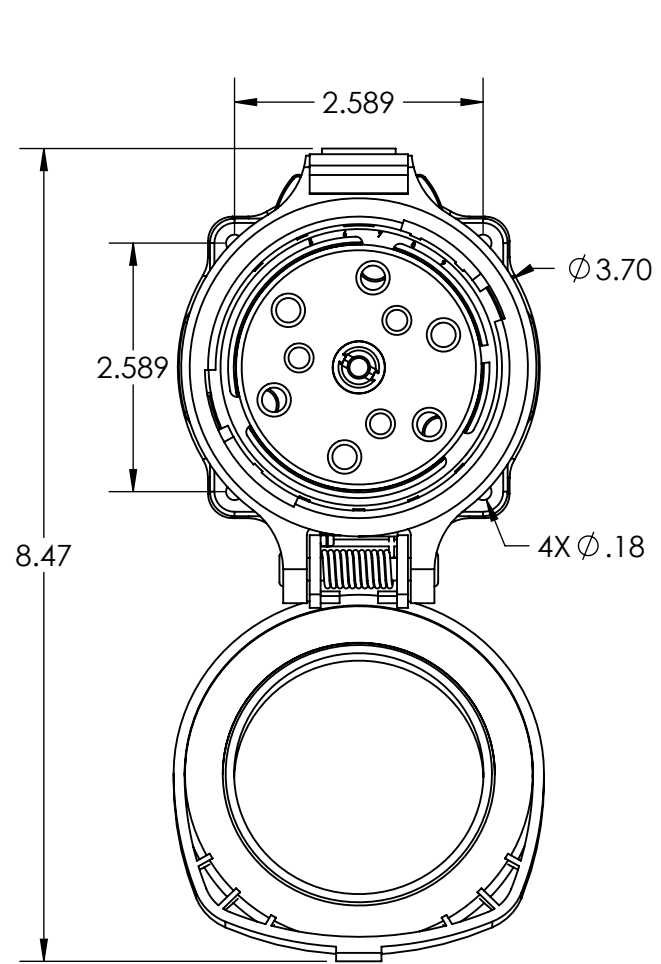
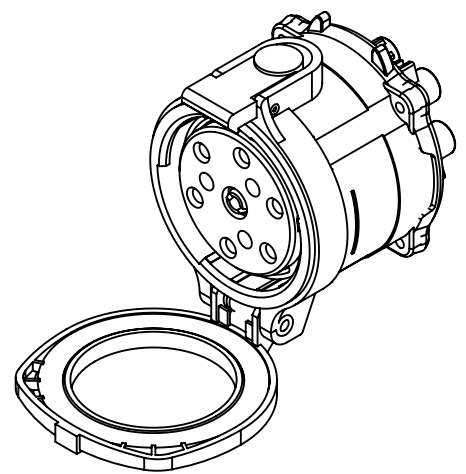
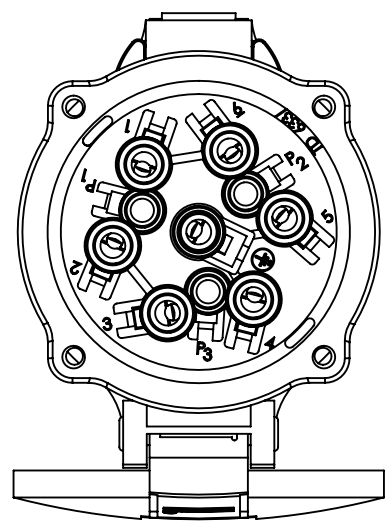


This drawing is the property of MELTRIC Corporation, Franklin (Milwaukee) Wisconsin, USA. Any unauthorized copying of this drawing by any means, ENG/RD/06 REV: 20 ISSUED DATE: 11/15/11 or disclosure of its contents to any person not authorized by MELTRIC Corporation or its agents to receive it, is strictly prohibited.



ENTRY HOLE PATTERN



TOLERANCES UNLESS OTHERWISE SPECIFIED				<b>ENGLISH</b> 0.X ±0.05 0.XX ±0.01 0.XXX ±0.005	
MACHINED SURFACES	$\sqrt{125} \text{ MAX}$				
GROUND SURFACES	$\sqrt{32} \text{ MAX}$	DATE:		SCALE	
ANGLE TOLERANCE	±1°	SHEET:		PART NUMBER	
REMOVE BURRS & SHARP EDGES TO .015 MAX.		1 OF 1		31-349xx	
DIMENSIONS SHOWN IN OVALS ARE INSPECTION DIMENSIONS.		DRAWING TITLE:		MATERIAL:	
		DR7c RECEPTACLE		BLUE POLY CASING	
				REVISION	

1  
2  
3  
4  
5  
6