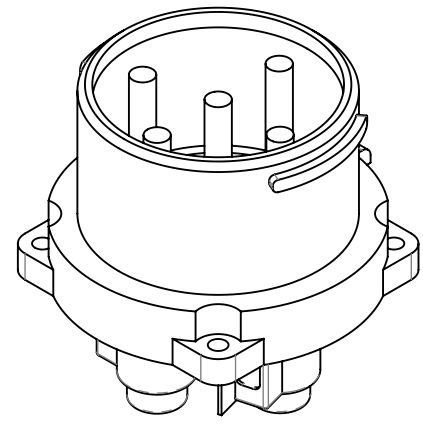
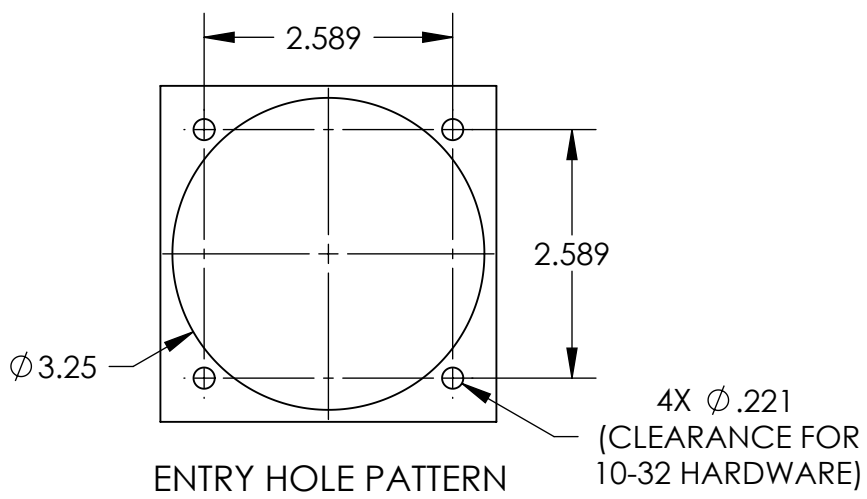
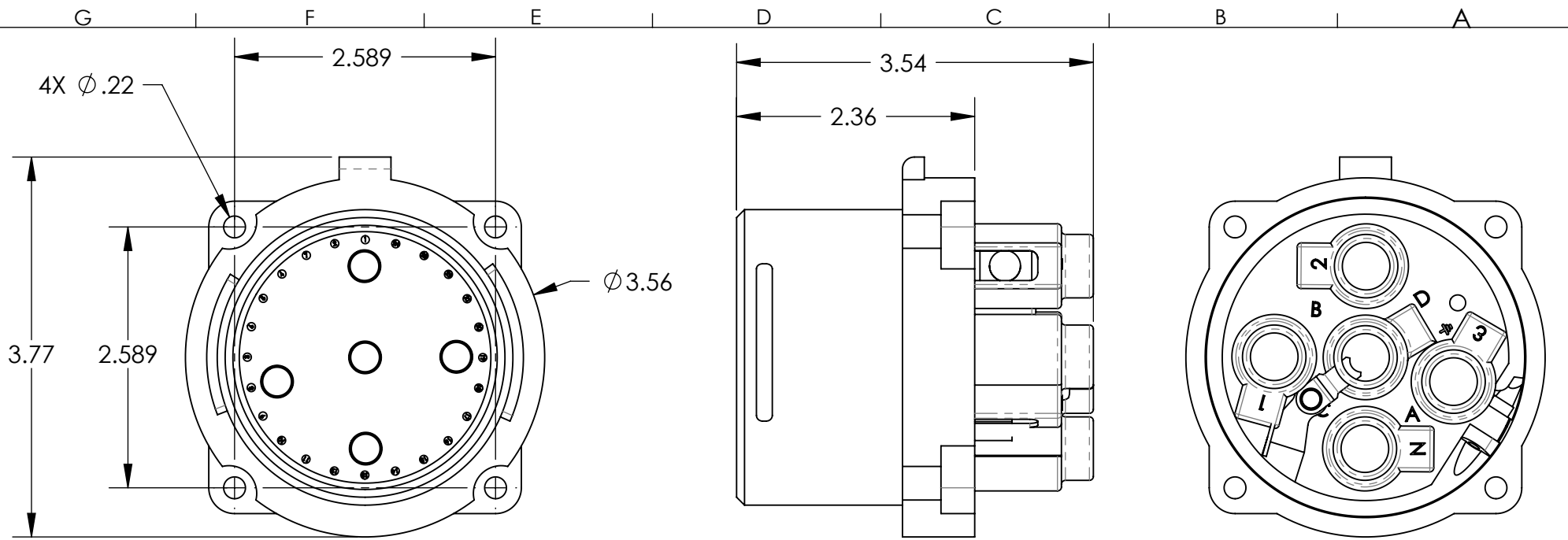


This drawing is the property of MELTRIC Corporation, Franklin (Milwaukee), Wisconsin, USA. Any unauthorized copying of this drawing by any means, ENG/RD/06 REV: 20 ISSUED DATE: 1/15/11 or disclosure of its contents to any person not authorized by MELTRIC Corporation or its agents to receive it, is strictly prohibited.



TOLERANCES UNLESS OTHERWISE SPECIFIED				DRAWING TITLE:	
MACHINED SURFACES $\sqrt[125]{\text{MAX}}$	ENGLISH			DS100C METAL INLET	
GROUND SURFACES $\sqrt[32]{\text{MAX}}$	0.X ± 0.05	DATE:	SCALE	METAL CASING	
ANGLE TOLERANCE $\pm 1^\circ$	0.XX ± 0.01	SHEET:	NTS	PART NUMBER	REVISION
REMOVE BURRS & SHARP EDGES TO .015 MAX.	0.XXX ± 0.005	1 OF 1		37-68xxx-C-Kxx	
DIMENSIONS SHOWN IN OVALS ARE INSPECTION DIMENSIONS.					