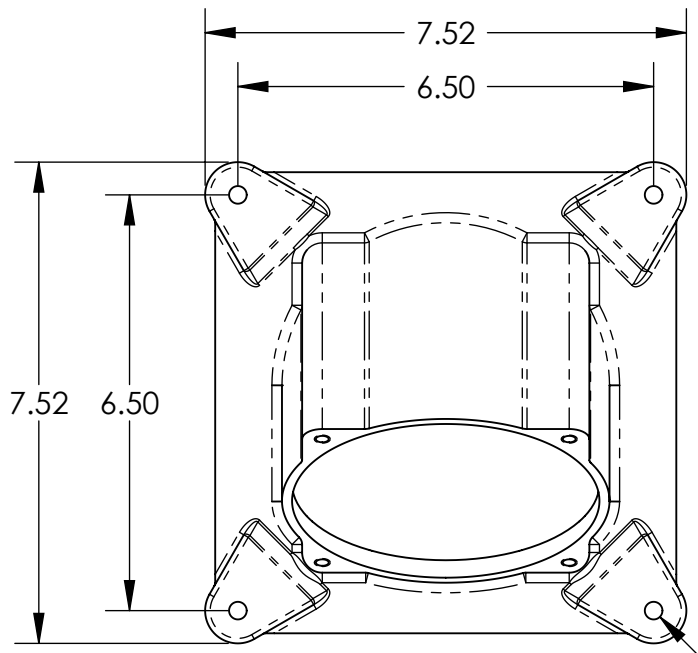
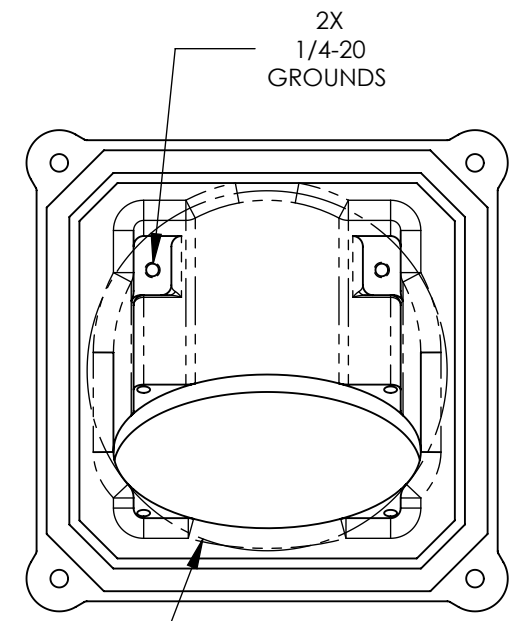
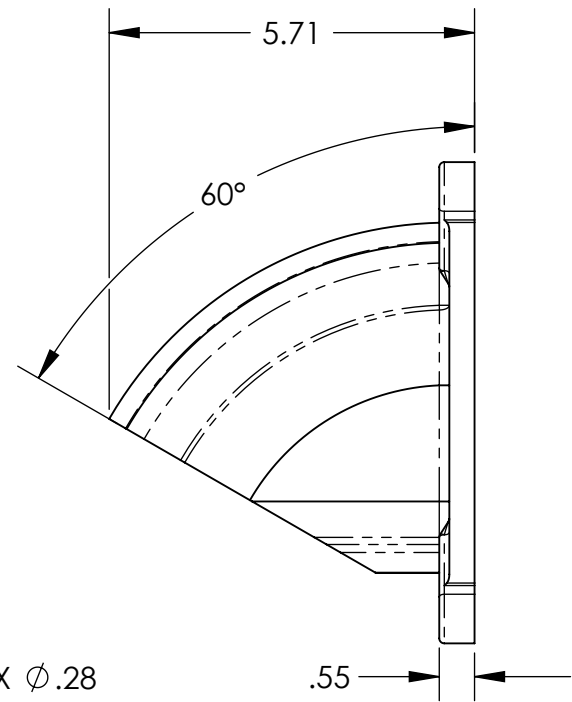


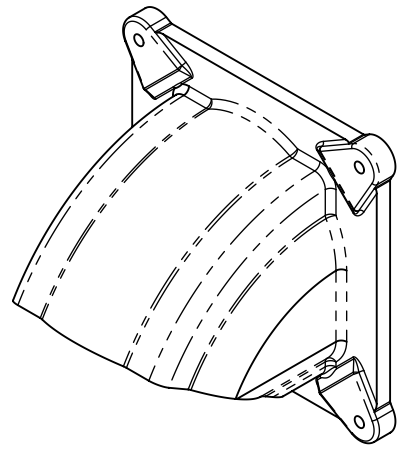
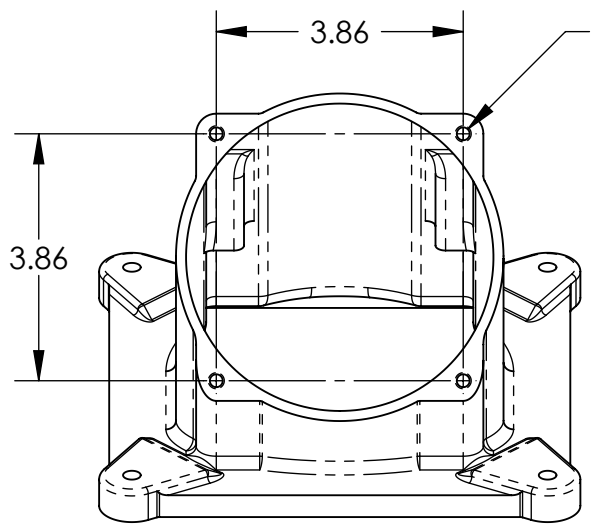
This drawing is the property of MELTRIC Corporation, Franklin (Milwaukee), Wisconsin, USA. Any unauthorized copying of this drawing by any means, ENG/RD/06 REV: 20 ISSUED DATE: 1/15/11 or disclosure of its contents to any person not authorized by MELTRIC Corporation or its agents to receive it, is strictly prohibited.



4X  $\phi$  .28  
 4X  
 1/4-20 UNC



2X  
 1/4-20  
 GROUNDS  
 $\phi$  5.63  
 PANEL KNOCKOUT  
 HOLE



TOLERANCES UNLESS OTHERWISE SPECIFIED		 <b>MELTRIC</b> A COMPANY OF MARÉCHAL ÉLECTRIC		DRAWING TITLE:	
MACHINED SURFACES $\sqrt[125]{\text{MAX}}$	ENGLISH			DRAWN	APPROVED
GROUND SURFACES $\sqrt[32]{\text{MAX}}$	0.X $\pm 0.05$	DATE:		SCALE	MATERIAL:
ANGLE TOLERANCE $\pm 1^\circ$	0.XX $\pm 0.01$	SHEET:		NTS	PAINTED METAL
REMOVE BURRS & SHARP EDGES TO .015 MAX.	0.XXX $\pm 0.005$	1 OF 1		PART NUMBER	
DIMENSIONS SHOWN IN OVALS ARE INSPECTION DIMENSIONS.				REVISION	
				596M6	