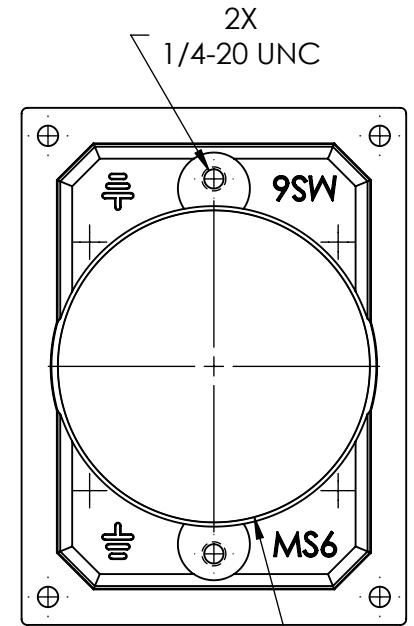
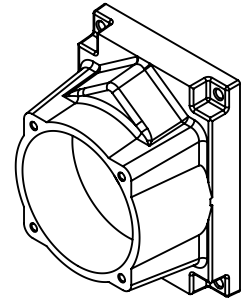
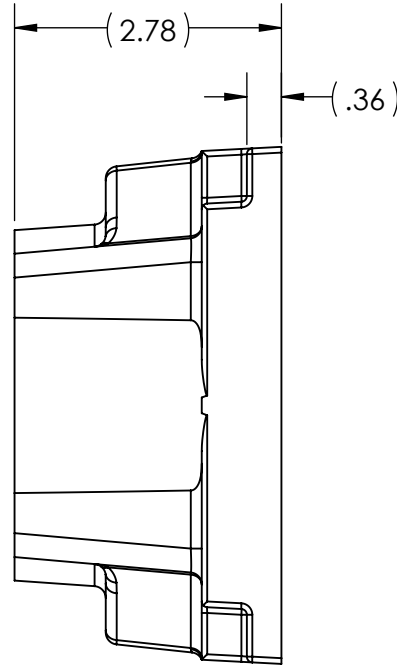
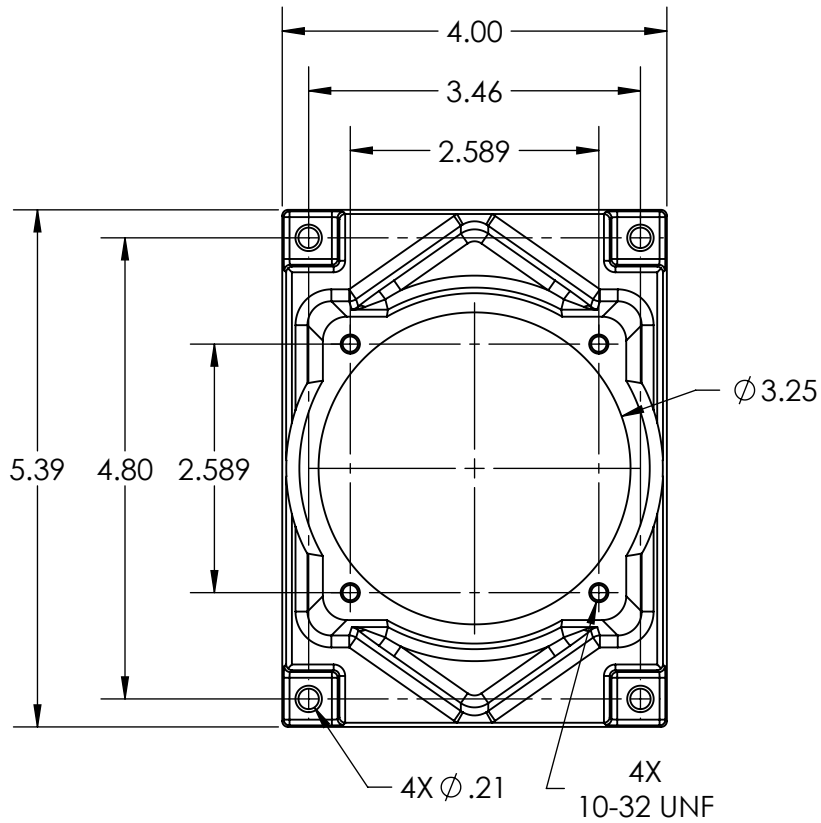
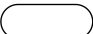



This drawing is the property of MELTRIC Corporation, Franklin (Milwaukee) Wisconsin, USA. Any unauthorized copying of this drawing by any means, ENGR/D06 REV: 20 ISSUED DATE: 11/15/11 or disclosure of its contents to any person not authorized by MELTRIC Corporation or its agents to receive it, is strictly prohibited.



Ø 3.25
PANEL KNOCKOUT HOLE

TOLERANCES UNLESS OTHERWISE SPECIFIED	
MACHINED SURFACES #error: broken link	ENGLISH 0.X ±0.05 0.XX ±0.01 0.XXX ±0.005
GROUND SURFACES #error: broken link	
ANGLE TOLERANCE ±1°	
REMOVE BURRS & SHARP EDGES TO .015 MAX.	
 DIMENSIONS SHOWN IN OVALS ARE INSPECTION DIMENSIONS.	

 A company of MARECHAL ELECTRIC GROUP		DRAWING TITLE:	
		METAL STRAIGHT ADAPTER	
DRAWN: _____ DATE: _____	APPROVED: _____ SCALE: NTS	MATERIAL: PAINTED METAL	
SHEET: 1 OF 1	PART NUMBER: 594M0	REVISION: _____	