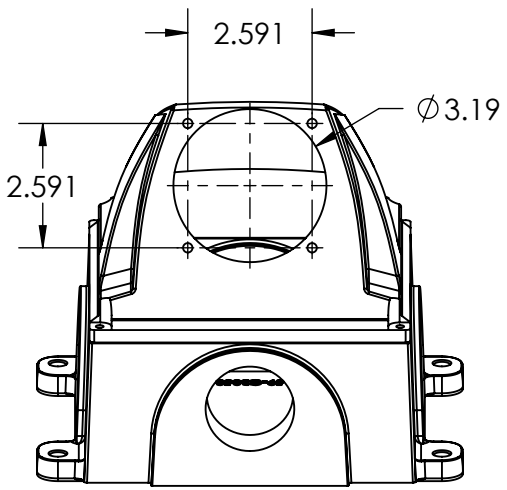
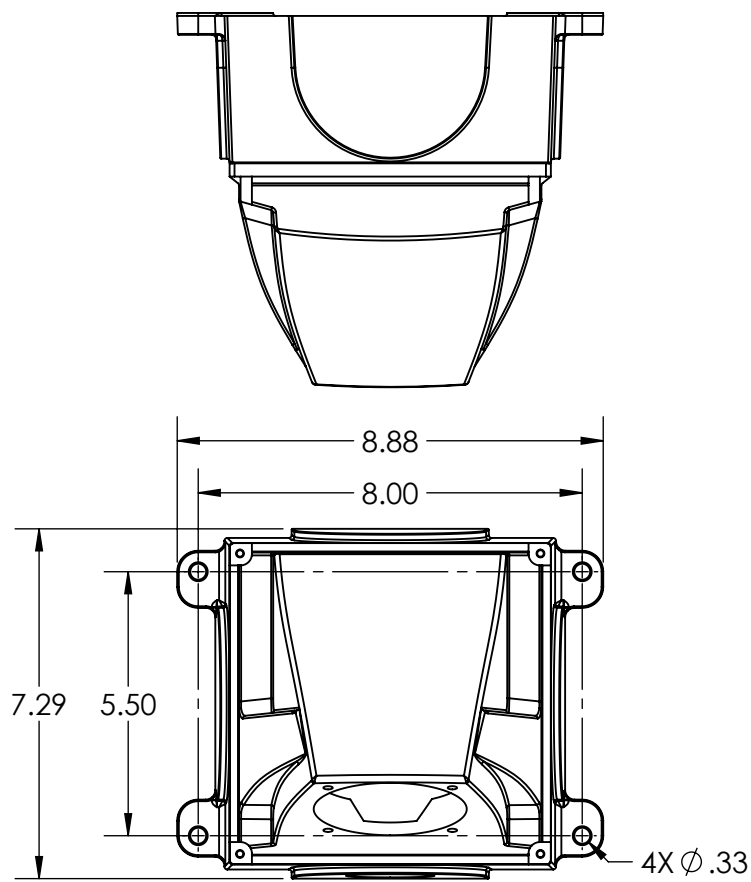
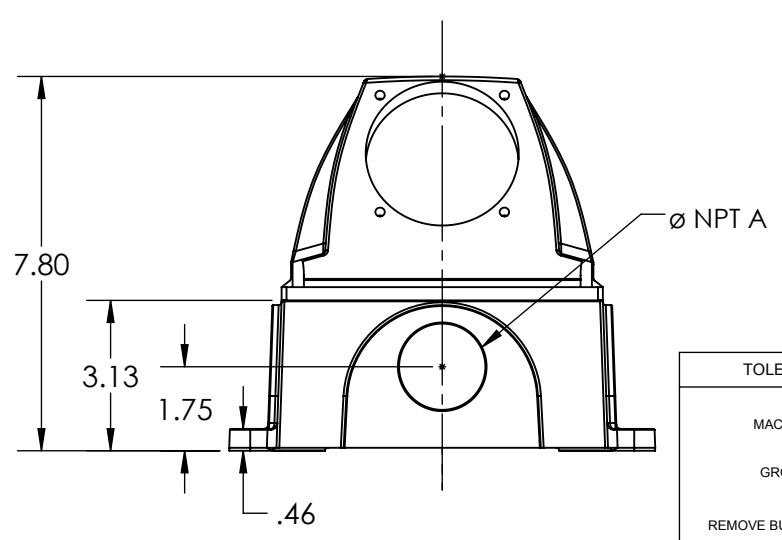
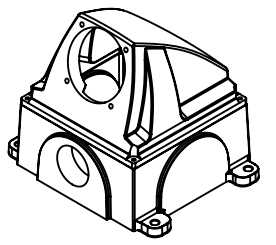
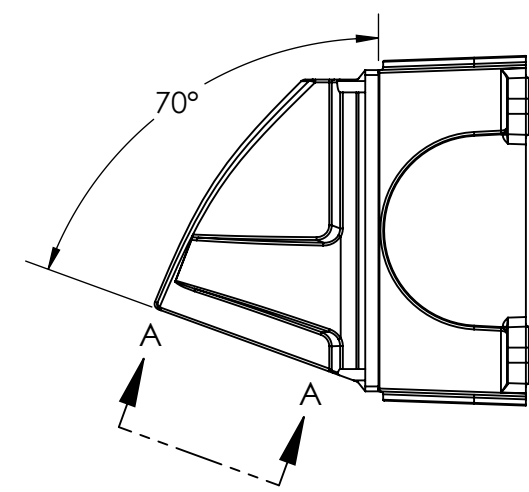


This drawing is the property of MELTRIC Corporation, Franklin (Milwaukee), Wisconsin, USA. Any unauthorized copying of this drawing by any means, ENGR/D06 REV: 20 ISSUED DATE: 1/15/11 or disclosure of its contents to any person not authorized by MELTRIC Corporation or its agents to receive it, is strictly prohibited.



VIEW A-A
70°



PART NUMBER	NPT A SIZE
714C7N05	1/2" NPT
714C7N07	3/4" NPT
714C7N10	1" NPT
714C7N12	1-1/4" NPT
714C7N15	1-1/2" NPT

TOLERANCES UNLESS OTHERWISE SPECIFIED

MACHINED SURFACES $\sqrt[125]{\text{MAX}}$

GROUND SURFACES $\sqrt[32]{\text{MAX}}$

ANGLE TOLERANCE $\pm 1^\circ$

REMOVE BURRS & SHARP EDGES TO .015 MAX.

DIMENSIONS SHOWN IN OVALS ARE INSPECTION DIMENSIONS.

ENGLISH

0.X ± 0.05
 0.XX ± 0.01
 0.XXX ± 0.005

MELTRIC
 A COMPANY OF MARECHAL ELECTRIC

DRAWN: _____ APPROVED: _____

DATE: _____

SHEET: 1 OF 1

DRAWING TITLE:
POLY 70°, ALUMINUM WALL BOX

SCALE: NTS

MATERIAL:
METAL BOX WITH POLY ANGLE

PART NUMBER: 714C7Nxx

REVISION: _____