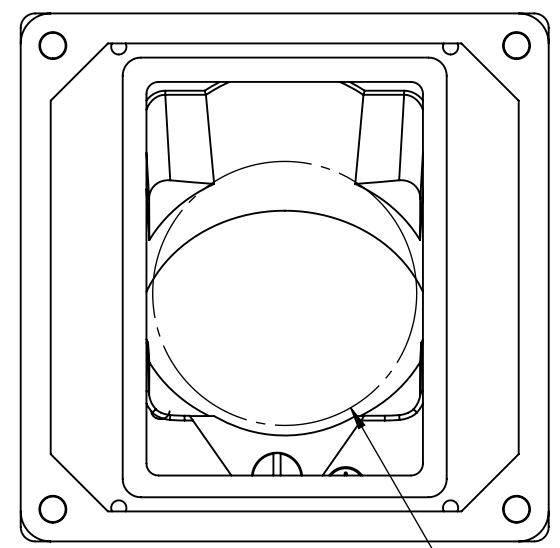
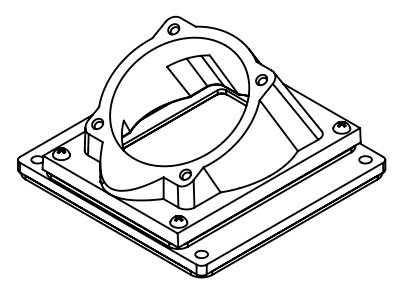
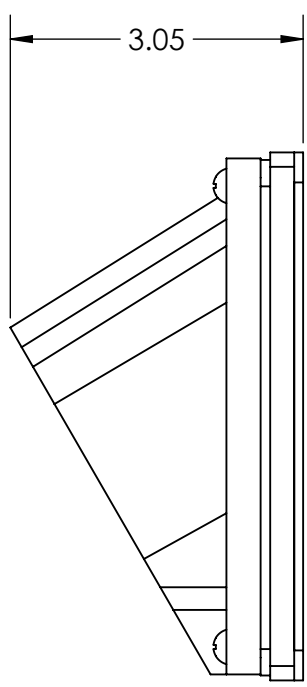
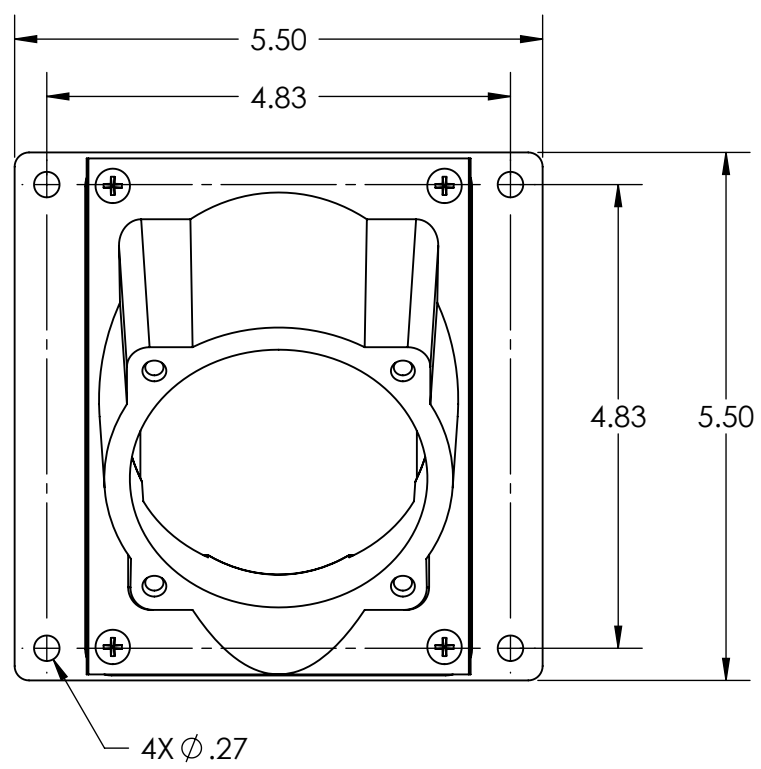

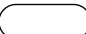


This drawing is the property of MELTRIC Corporation, Franklin (Milwaukee) Wisconsin, USA. Any unauthorized copying of this drawing by any means, ENGR/D06 REV: 20 ISSUED DATE: 1/15/11 or disclosure of its contents to any person not authorized by MELTRIC Corporation or its agents to receive it, is strictly prohibited.



MAX KNOCKOUT HOLE Ø2.75

TOLERANCES UNLESS OTHERWISE SPECIFIED		 MELTRIC A COMPANY OF MARÉCHAL ELECTRIC		DRAWING TITLE:	
MACHINED SURFACES #error: broken link	ENGLISH			EXTRA LARGE METAL ADAPTER	
GROUND SURFACES #error: broken link	0.X ±0.05	DATE:	SCALE	PAINTED METAL	
ANGLE TOLERANCE ±1°	0.XX ±0.01		NTS	PART NUMBER	
REMOVE BURRS & SHARP EDGES TO .015 MAX.	0.XXX ±0.005	SHEET:	794M3	REVISION	
 DIMENSIONS SHOWN IN OVALS ARE INSPECTION DIMENSIONS.		1 OF 1			