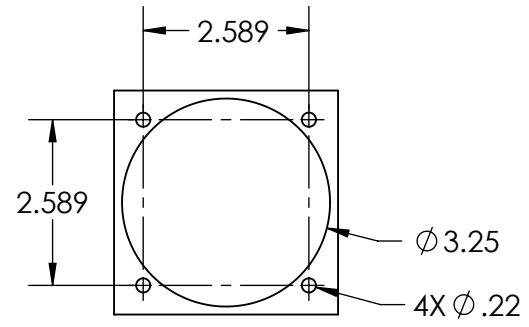
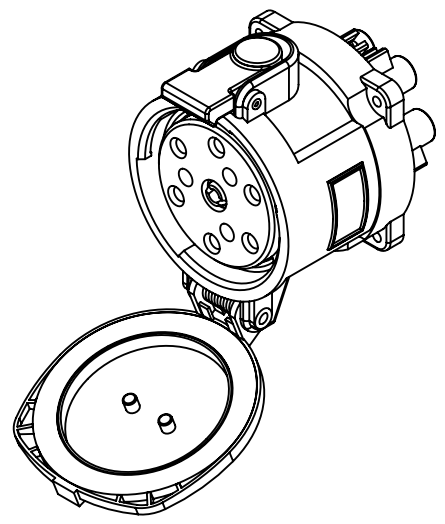
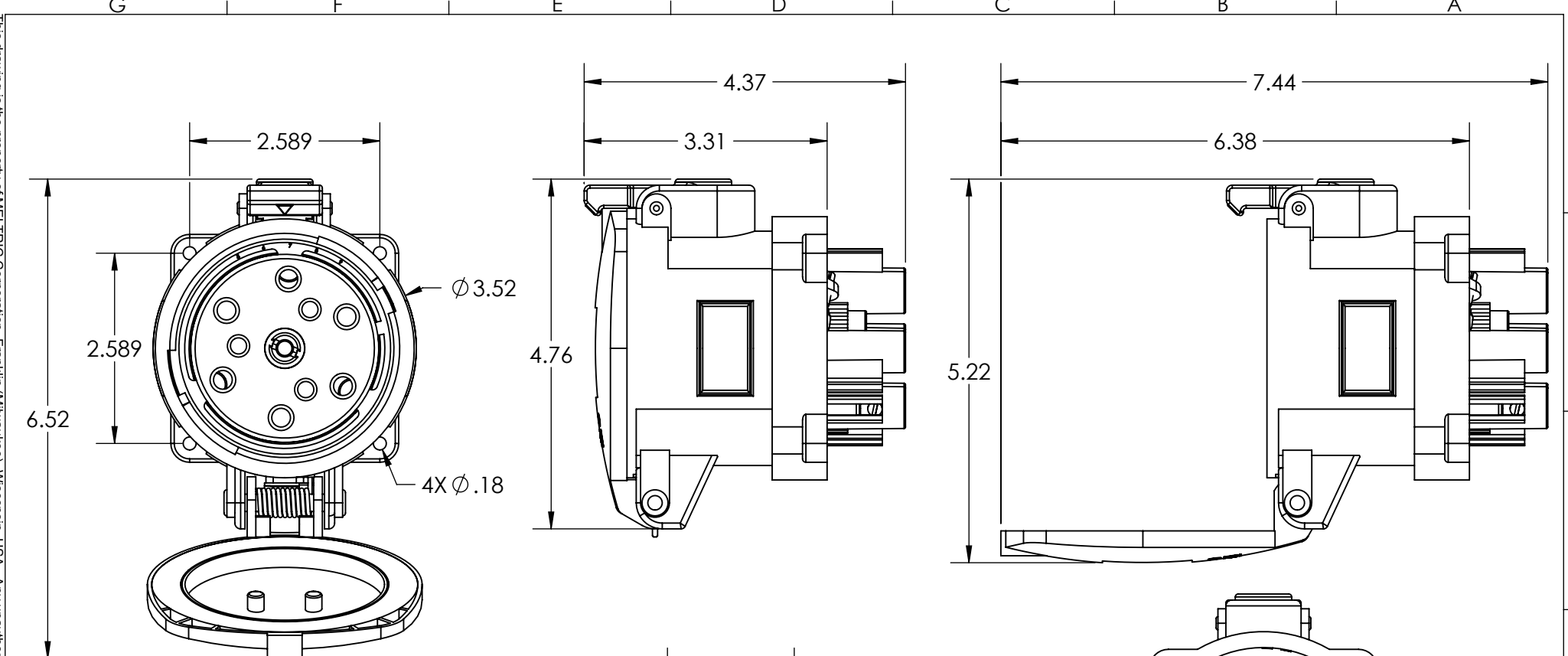
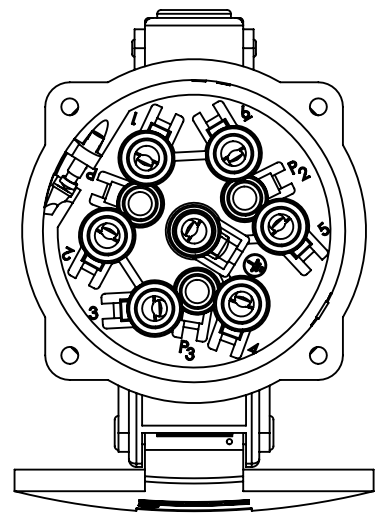


This drawing is the property of MELTRIC Corporation, Franklin (Milwaukee) Wisconsin, USA. Any unauthorized copying of this drawing by any means, ENG/RD/06 REV: 20 ISSUED DATE: 1/15/11 or disclosure of its contents to any person not authorized by MELTRIC Corporation or its agents to receive it, is strictly prohibited.



ENTRY HOLE PATTERN



TOLERANCES UNLESS OTHERWISE SPECIFIED				ENGLISH 0.X ±0.05 0.XX ±0.01 0.XXX ±0.005	
MACHINED SURFACES	$\sqrt[125]{\text{MAX}}$				
GROUND SURFACES	$\sqrt[32]{\text{MAX}}$	DATE:	SCALE: NTS	MATERIAL: PAINTED METAL CASING	
ANGLE TOLERANCE ±1°		SHEET: 1 OF 1	PART NUMBER: 37-345xx	REVISION	
REMOVE BURRS & SHARP EDGES TO .015 MAX.					
DIMENSIONS SHOWN IN OVALS ARE INSPECTION DIMENSIONS.					