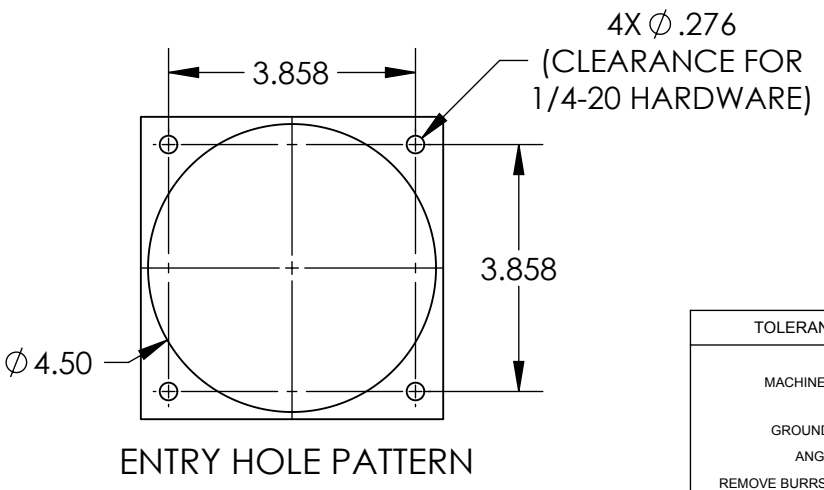
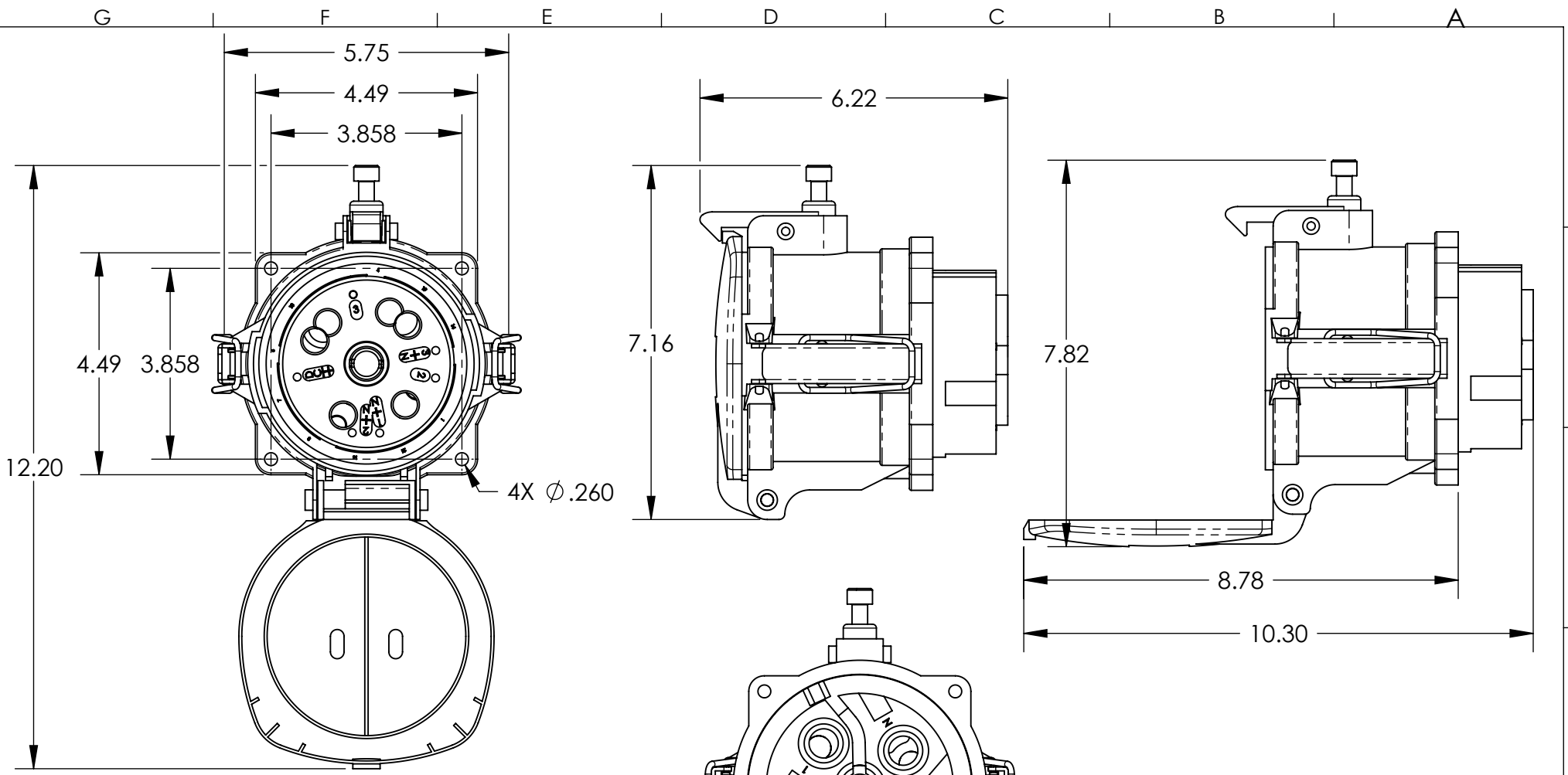


This drawing is the property of MELTRIC Corporation, Franklin (Milwaukee) Wisconsin, USA. Any unauthorized copying of this drawing by any means, ENG/RD/06 REV: 20 ISSUED DATE: 11/15/11 or disclosure of its contents to any person not authorized by MELTRIC Corporation or its agents to receive it, is strictly prohibited.



TOLERANCES UNLESS OTHERWISE SPECIFIED	
MACHINED SURFACES $\sqrt[125]{\text{MAX}}$	ENGLISH 0.X \pm 0.05 0.XX \pm 0.01 0.XXX \pm 0.005
GROUND SURFACES $\sqrt[32]{\text{MAX}}$	
ANGLE TOLERANCE \pm 1°	
REMOVE BURRS & SHARP EDGES TO .015 MAX.	
DIMENSIONS SHOWN IN OVALS ARE INSPECTION DIMENSIONS.	

MELTRIC CORPORATION		DRAWING TITLE:	
DRAWN	APPROVED	DSDC2 RECEPT., ALL VOLTAGES/AMPERAGES	
DATE:		SCALE	MATERIAL:
		NTS	METAL CASING
SHEET:		PART NUMBER	
1 OF 1		37-24xxx(-xxx)	
			REVISION