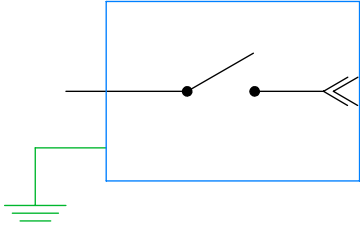
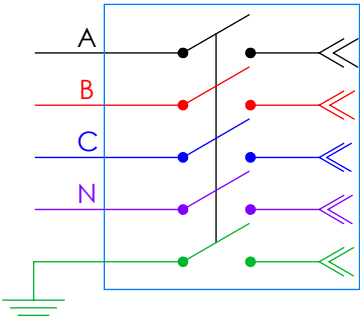


This drawing is the property of MELTRIC Corporation, Franklin (Milwaukee), Wisconsin, USA. Any unauthorized copying of this drawing by any means, ENG/RD/06 REV: 20 ISSUED DATE: 1/15/11 or disclosure of its contents to any person not authorized by MELTRIC Corporation or its agents to receive it, is strictly prohibited.

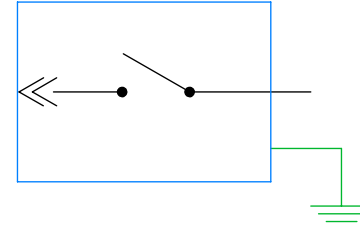
TOMACORRIENTE MELTRIC SERIE
AMPS, VOLTAJE, POLARIDAD
(INCLUIR NOTA 1 O 2)



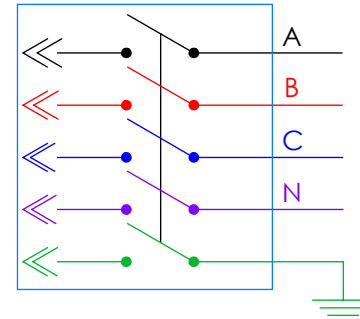
TOMACORRIENTE MELTRIC SERIE
AMPS, VOLTAJE, POLARIDAD
(INCLUIR NOTA 1 O 2)



CLAVIJA MELTRIC SERIE
AMPS, VOLTAJE, POLARIDAD
(INCLUIR NOTA 1 O 2)



CLAVIJA MELTRIC SERIE
AMPS, VOLTAJE, POLARIDAD
(INCLUIR NOTA 1 O 2)



NOTA DE CORTO CIRCUITOS:

- 100kA CON FUSIBLES SIN RETRASO DE TIEMPO RK1 CUANDO SE USAN CON DISPOSITIVOS DSN, DS Y DB (EXCEPTO DS100 Y DS200).
- 65kA CON FUSIBLES CON RETRASO DE TIEMPO RK5 PARA DISPOSITIVOS DS100 Y DS200.

TOLERANCES UNLESS OTHERWISE SPECIFIED

MACHINED SURFACES $\sqrt{125}^{\text{MAX}}$
GROUND SURFACES $\sqrt{32}^{\text{MAX}}$
ANGLE TOLERANCE $\pm 1^\circ$
REMOVE BURRS & SHARP EDGES TO .015 MAX.

ENGLISH
0.X ± 0.05
0.XX ± 0.01
0.XXX ± 0.005

DIMENSIONS SHOWN IN OVALS ARE INSPECTION DIMENSIONS.



DRAWN ET	APPROVED	DRAWING TITLE: SERIE DECONTACTOR	
DATE:		SCALE 2:1	MATERIAL:
SHEET: 1 OF 1		PART NUMBER	REVISION A

REV.	DESCRIPTION	DATE	CHNG BY	ECN #
A				