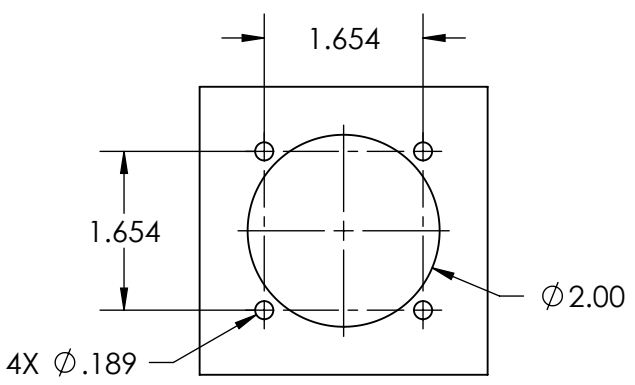
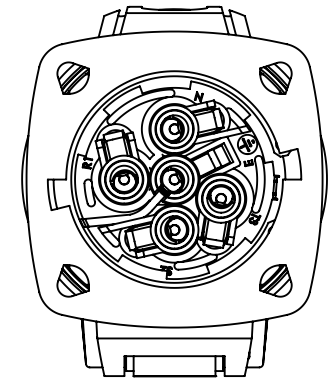
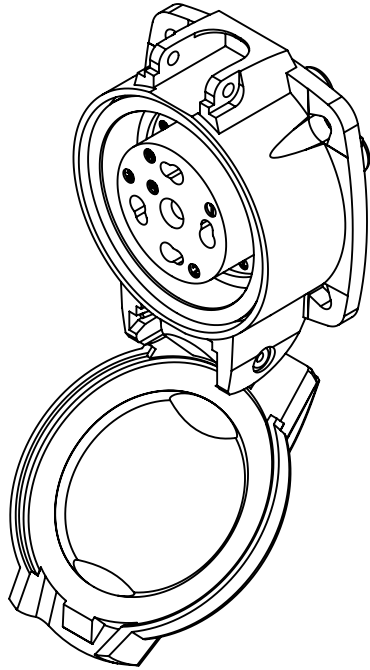
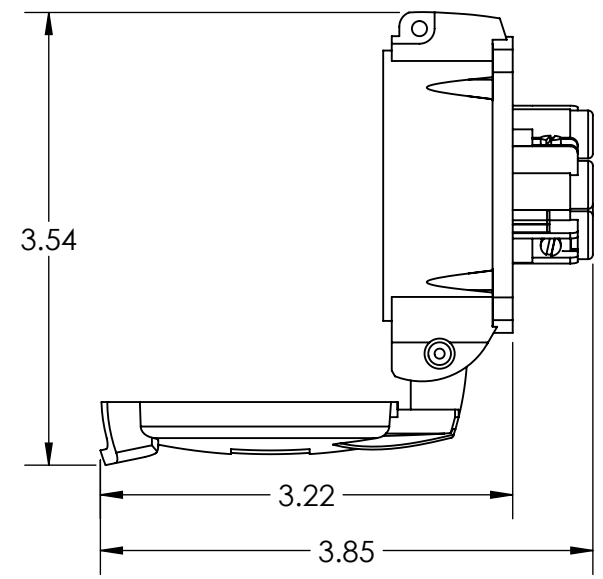
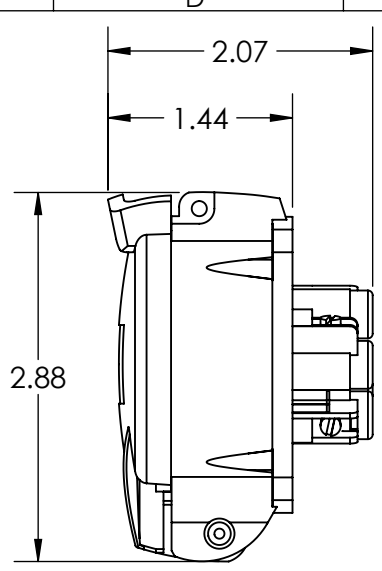
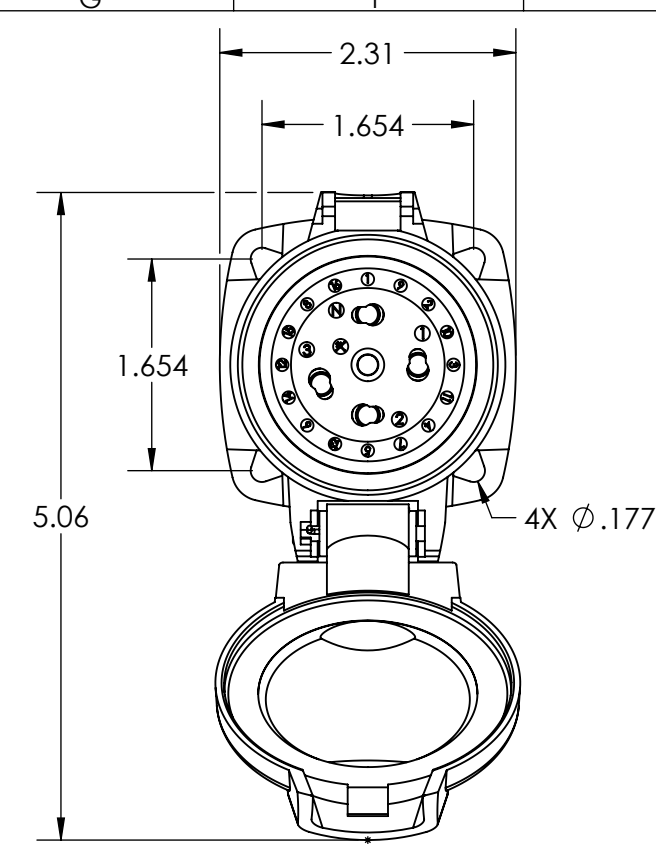
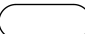



This drawing is the property of MELTRIC Corporation, Franklin (Milwaukee), Wisconsin, USA. Any unauthorized copying of this drawing by any means, ENG/RD/06 REV: 20 ISSUED DATE: 1/15/11 or disclosure of its contents to any person not authorized by MELTRIC Corporation or its agents to receive it, is strictly prohibited.



ENTRY HOLE PATTERN

TOLERANCES UNLESS OTHERWISE SPECIFIED	
MACHINED SURFACES $\sqrt{125}$ MAX	ENGLISH 0.X \pm0.05 0.XX \pm0.01 0.XXX \pm0.005
GROUND SURFACES $\sqrt{32}$ MAX	
ANGLE TOLERANCE $\pm 1^\circ$	
REMOVE BURRS & SHARP EDGES TO .015 MAX.	
 DIMENSIONS SHOWN IN OVALS ARE INSPECTION DIMENSIONS.	

		MELTRIC CORPORATION	
DRAWN	APPROVED	DRAWING TITLE: PN20 RECEPT., 20A, IP55	
DATE:	SCALE NTS	MATERIAL: PAINTED METAL CASING	
SHEET: 1 OF 1	PART NUMBER 09-S4xxx		REVISION