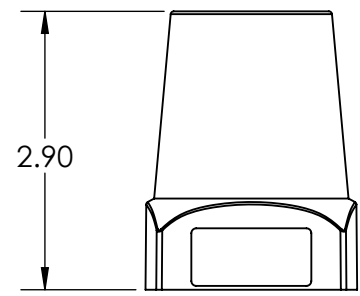
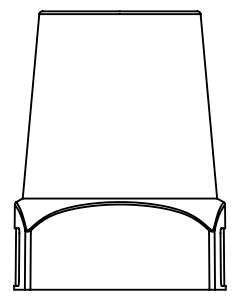
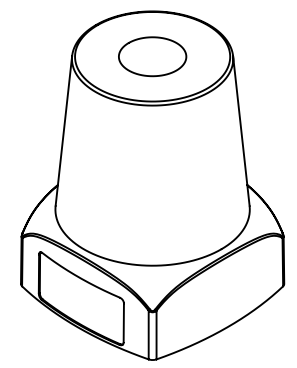
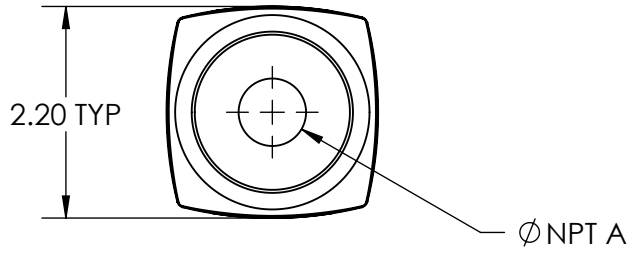
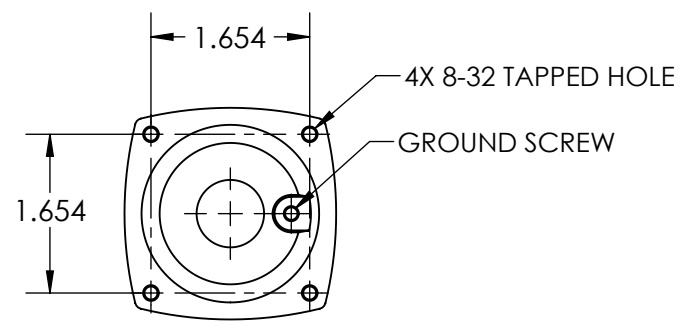


This drawing is the property of MELTRIC Corporation, Franklin (Milwaukee) Wisconsin, USA. Any unauthorized copying of this drawing by any means, ENGR/D06 REV: 20 ISSUED DATE: 1/15/11 or disclosure of its contents to any person not authorized by MELTRIC Corporation or its agents to receive it, is strictly prohibited.

G F E D C B A



PART NUMBER	NPT "A"
591PON05	1/2" NPT
591PON07	3/4" NPT
591PON10	1" NPT



TOLERANCES UNLESS OTHERWISE SPECIFIED		 <b>MELTRIC</b> A COMPANY OF MARÉCHAL ELECTRIC		DRAWING TITLE:	
MACHINED SURFACES #error: broken link GROUND SURFACES #error: broken link ANGLE TOLERANCE ±1° REMOVE BURRS & SHARP EDGES TO .015 MAX.				<b>METAL HANDLE THREADED</b>	
ENGLISH 0.X ±0.05 0.XX ±0.01 0.XXX ±0.005		DATE:	SCALE	PAINTED METAL	
DIMENSIONS SHOWN IN OVALS ARE INSPECTION DIMENSIONS.		SHEET:	NTS	PART NUMBER	REVISION
		1 OF 1		591PONxx	