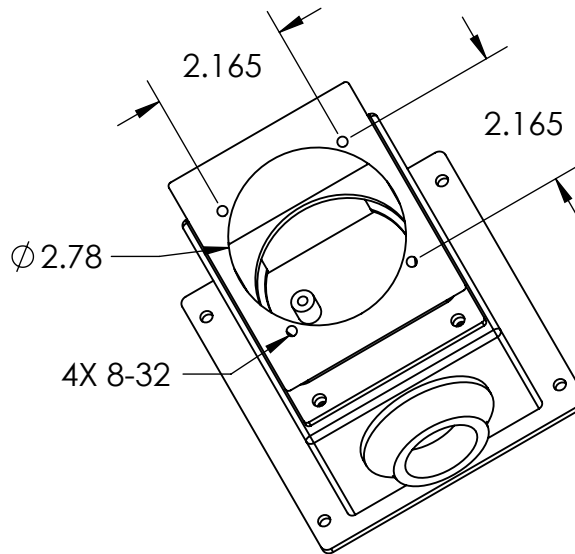
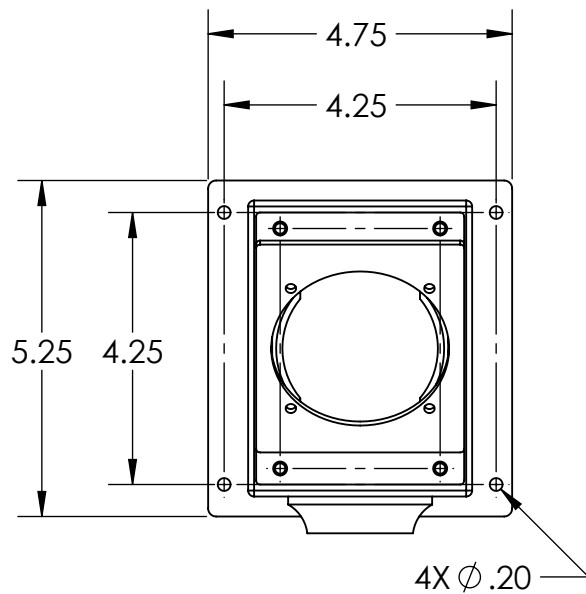
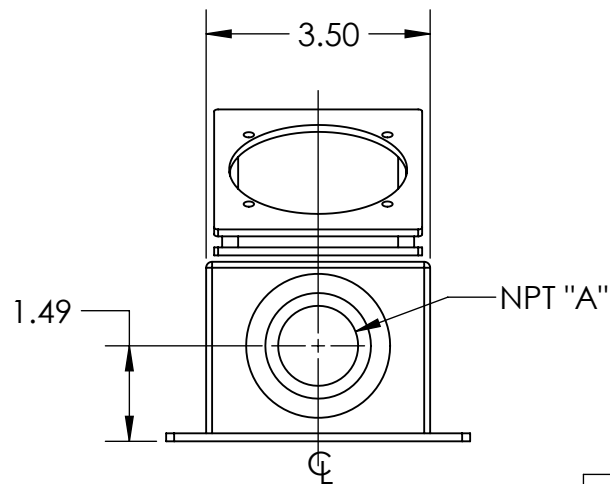
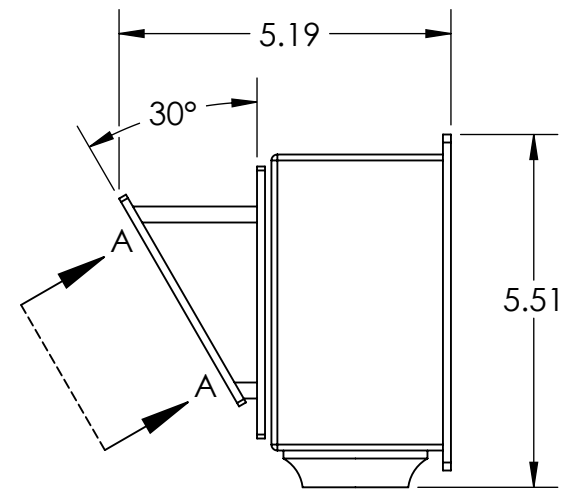


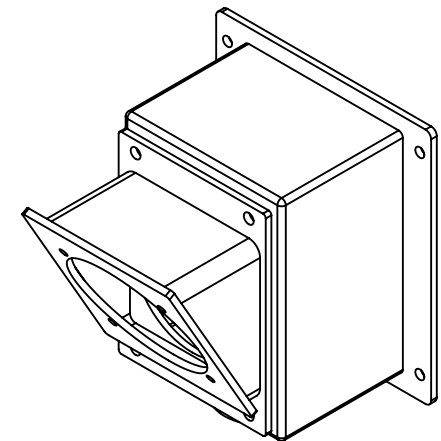
This drawing is the property of MELTRIC Corporation, Franklin (Milwaukee), Wisconsin, USA. Any unauthorized copying of this drawing by any means, ENG/RD/06 REV: 20 ISSUED DATE: 11/15/11 or disclosure of its contents to any person not authorized by MELTRIC Corporation or its agents to receive it, is strictly prohibited.





VIEW A-A  
SCALE 1 : 3



PART NUMBER	NPT "A"
7X1C3N07	3/4" NPT
7X1C3N10	1" NPT



TOLERANCES UNLESS OTHERWISE SPECIFIED		 A COMPANY OF MARÉCHAL ÉLECTRIC		
MACHINED SURFACES #error: broken link GROUND SURFACES #error: broken link ANGLE TOLERANCE ±1° REMOVE BURRS & SHARP EDGES TO .015 MAX.				DRAWING TITLE: <b>STAINLESS STEEL BOX AND ANGLE COMBO</b>
ENGLISH 0.X ±0.05 0.XX ±0.01 0.XXX ±0.005		DATE:	SCALE: NTS	MATERIAL: STAINLESS STEEL
 DIMENSIONS SHOWN IN OVALS ARE INSPECTION DIMENSIONS.		SHEET: 1 OF 1	PART NUMBER: 7X1C3Nxx	REVISION